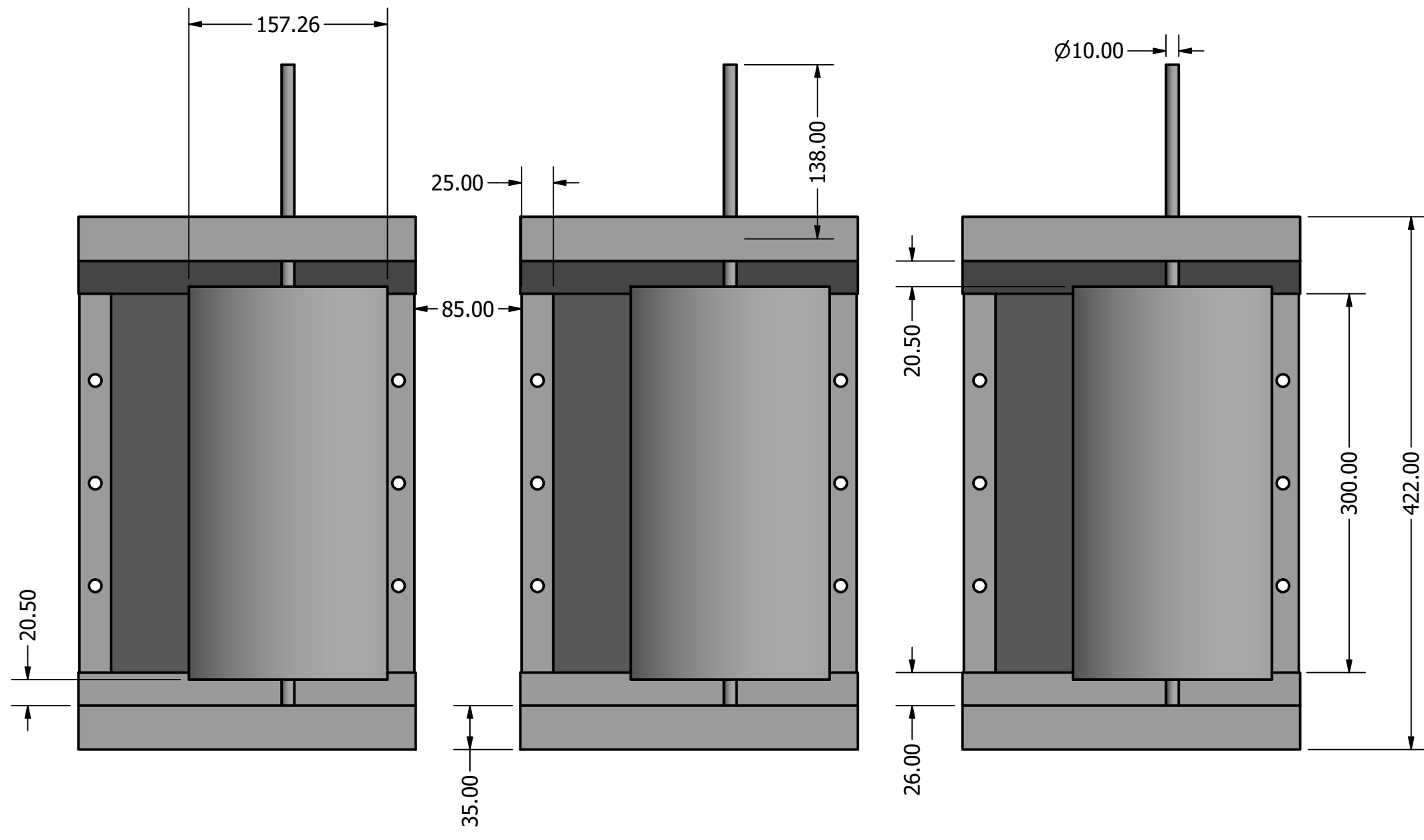
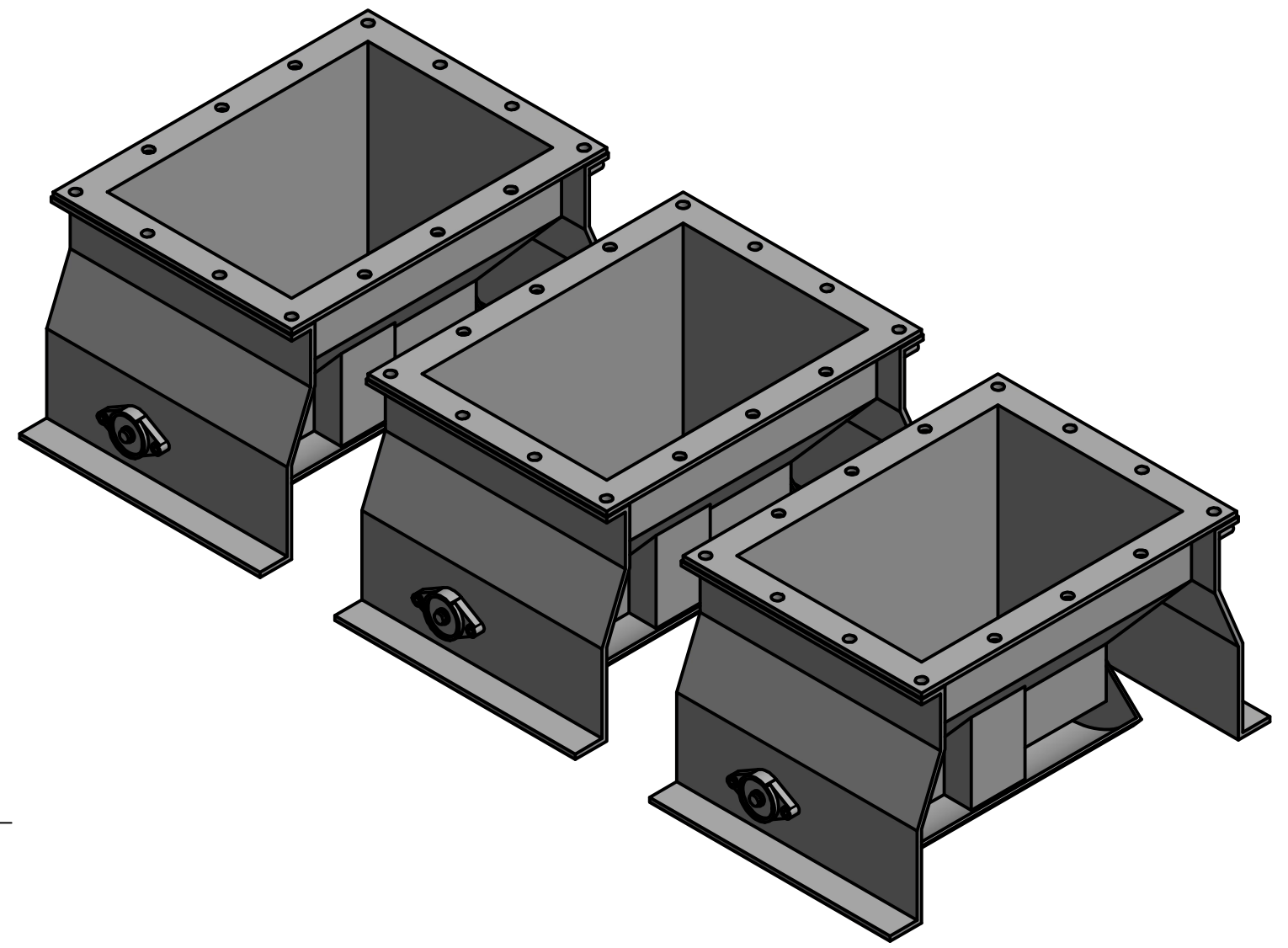
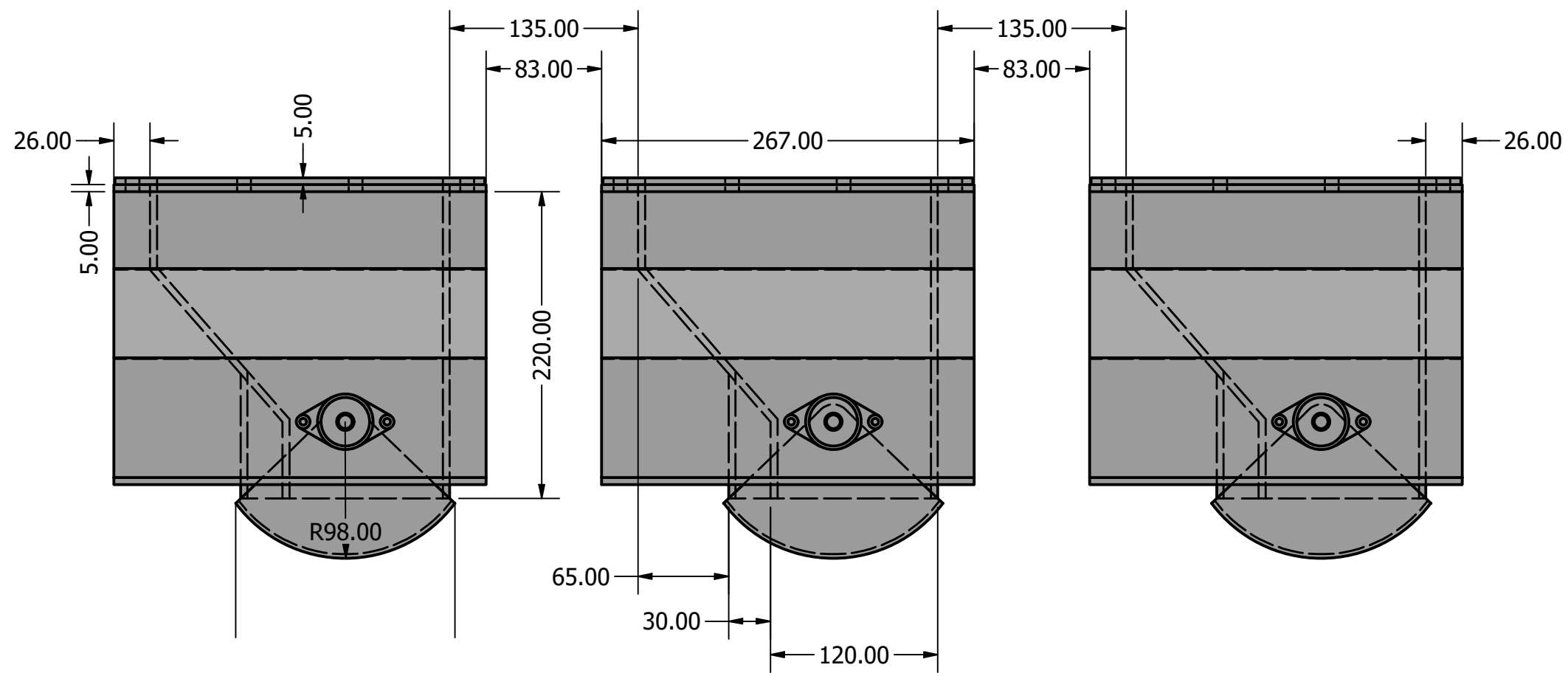


Lámina de acero inoxidable calibre 10

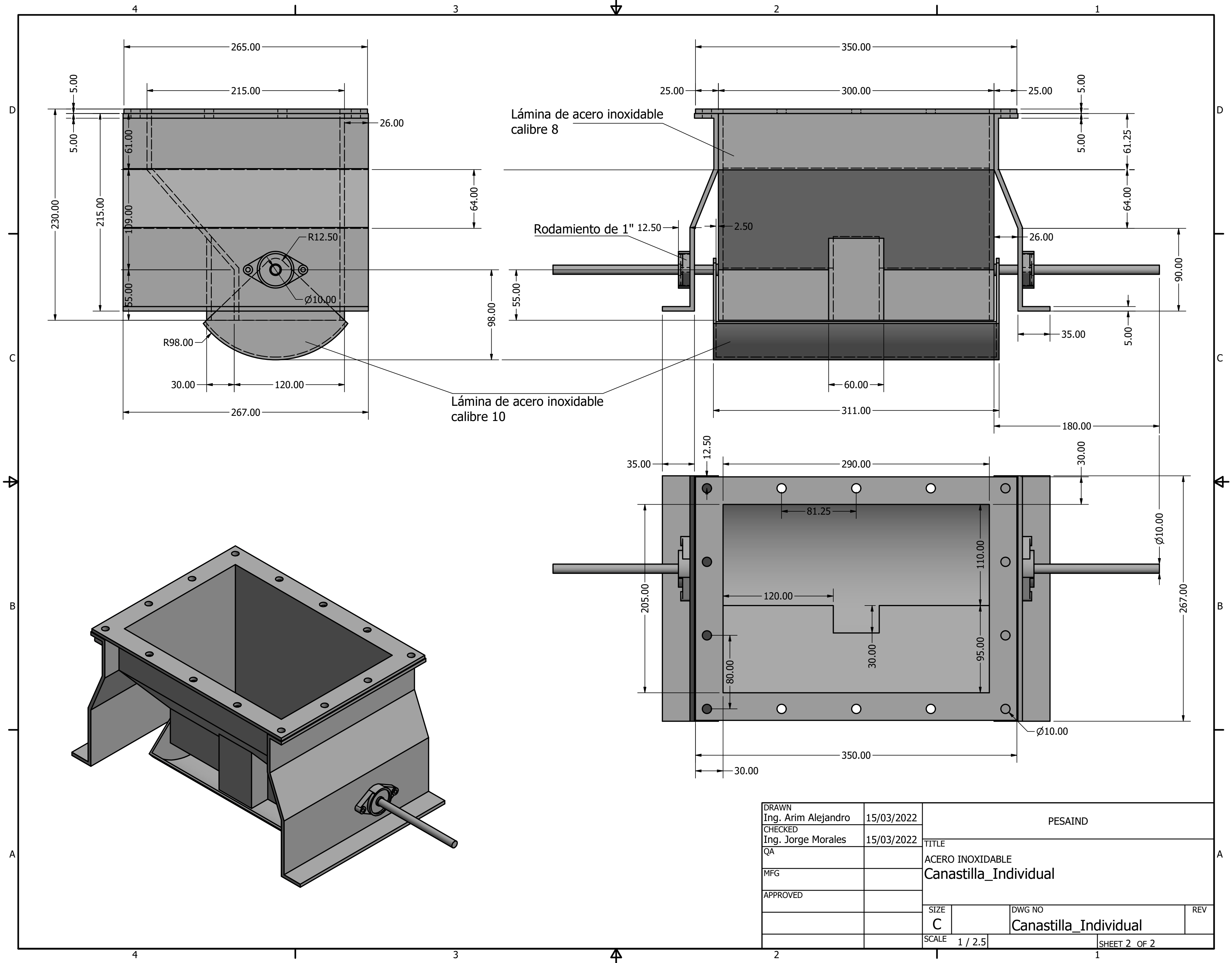
Placa de acero inoxidable calibre 8

DRAWN	Ing. Arim Alejandro	15/03/2022	PESAIND	
CHECKED	Ing, Jorge Morales	15/03/2022	TITLE	
QA			ACERO INOXIDABLE	
MFG			Extensiones del distribuidor	
APPROVED			SIZE	DWG NO
			C	Distribuidor triple
			SCALE	REV
			1 / 3,5	
			SHEET 2 OF 2	

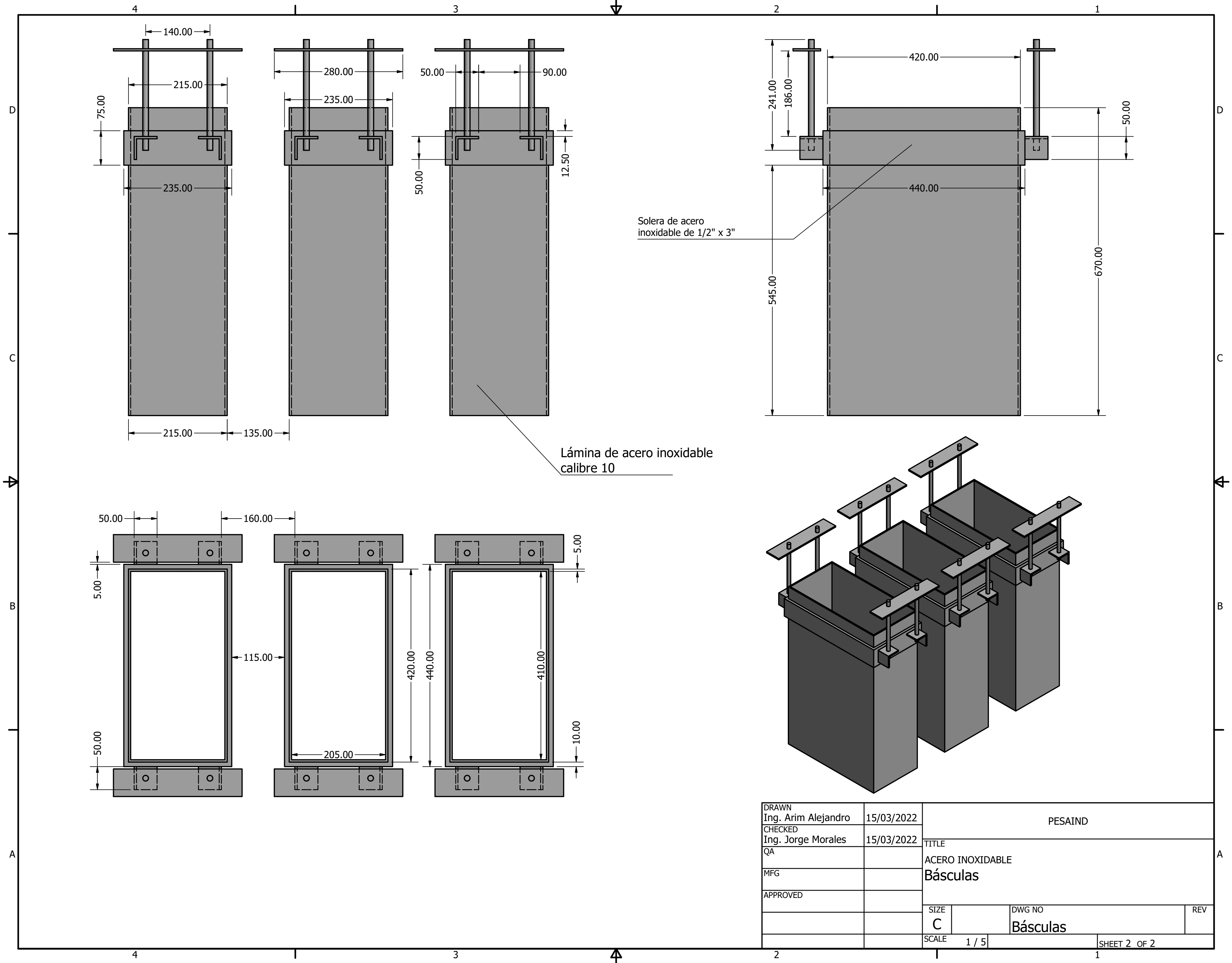




DRAWN	Ing. Arim Alejandro	15/03/2022	PESAIND		
CHECKED	Ing. Jorge Morales	15/03/2022	TITLE		
QA			ACERO INOXIDABLE		
MFG			Canastillas		
APPROVED			SIZE	DWG NO	REV
			C	Canastillas	
			SCALE	1 / 4	SHEET 2 OF 2

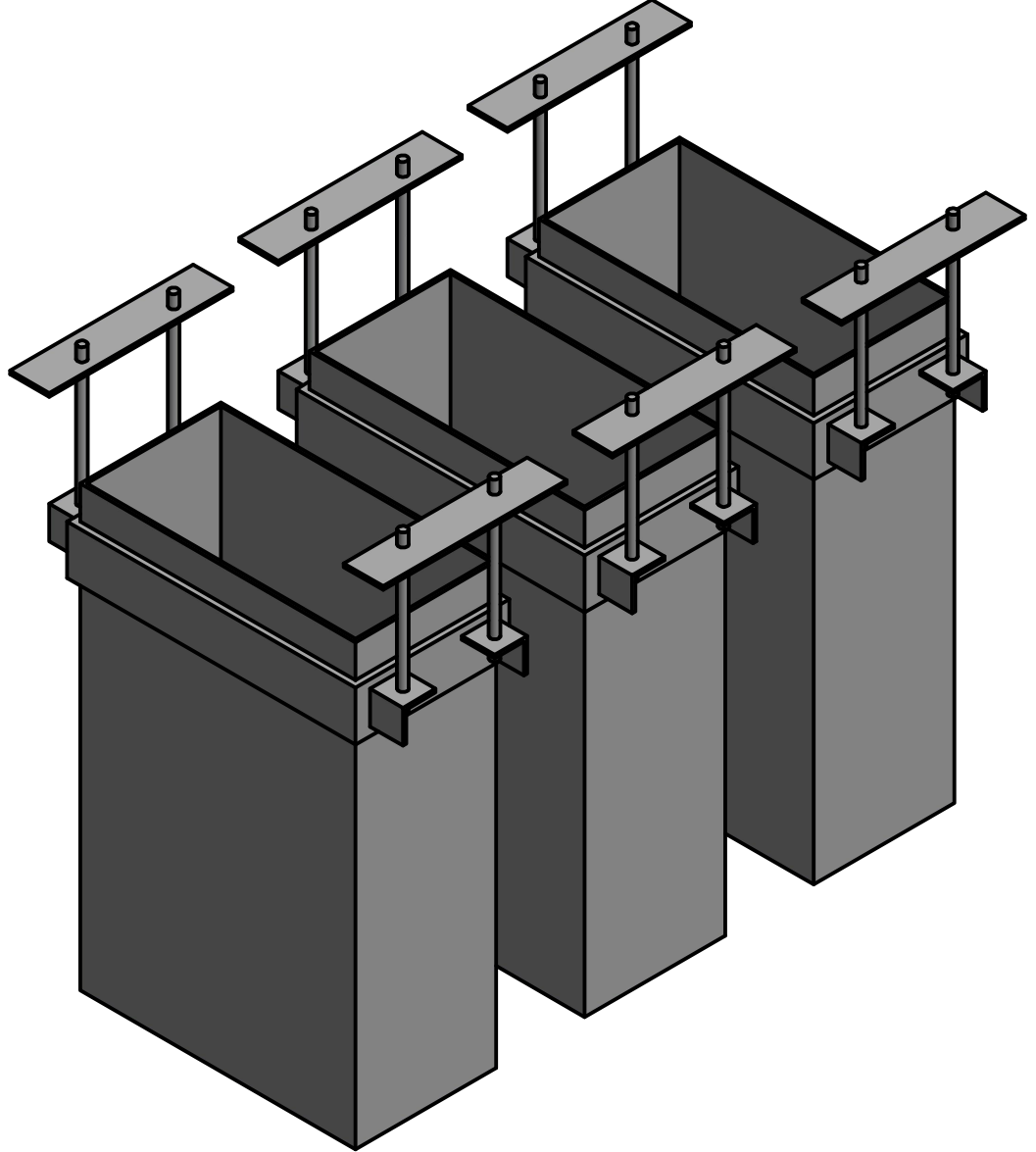


DRAWN	Ing. Arim Alejandro	15/03/2022	PESAIND		
CHECKED	Ing. Jorge Morales	15/03/2022	TITLE		
QA			ACERO INOXIDABLE		
MFG			Canastilla_Individual		
APPROVED			SIZE	DWG NO	REV
			C	Canastilla_Individual	
			SCALE	1 / 2.5	SHEET 2 OF 2

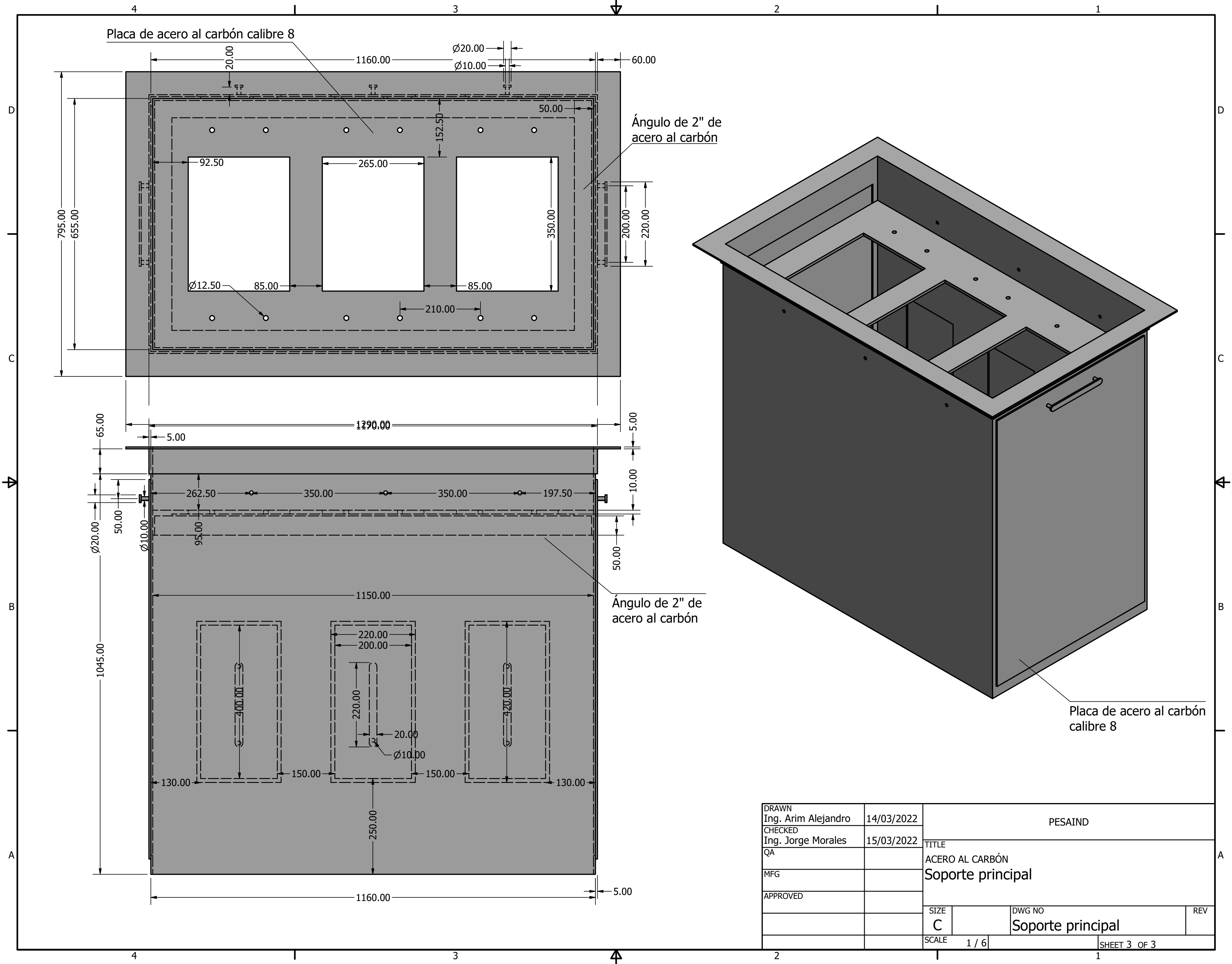


Solera de acero inoxidable de 1/2" x 3"

Lámina de acero inoxidable calibre 10

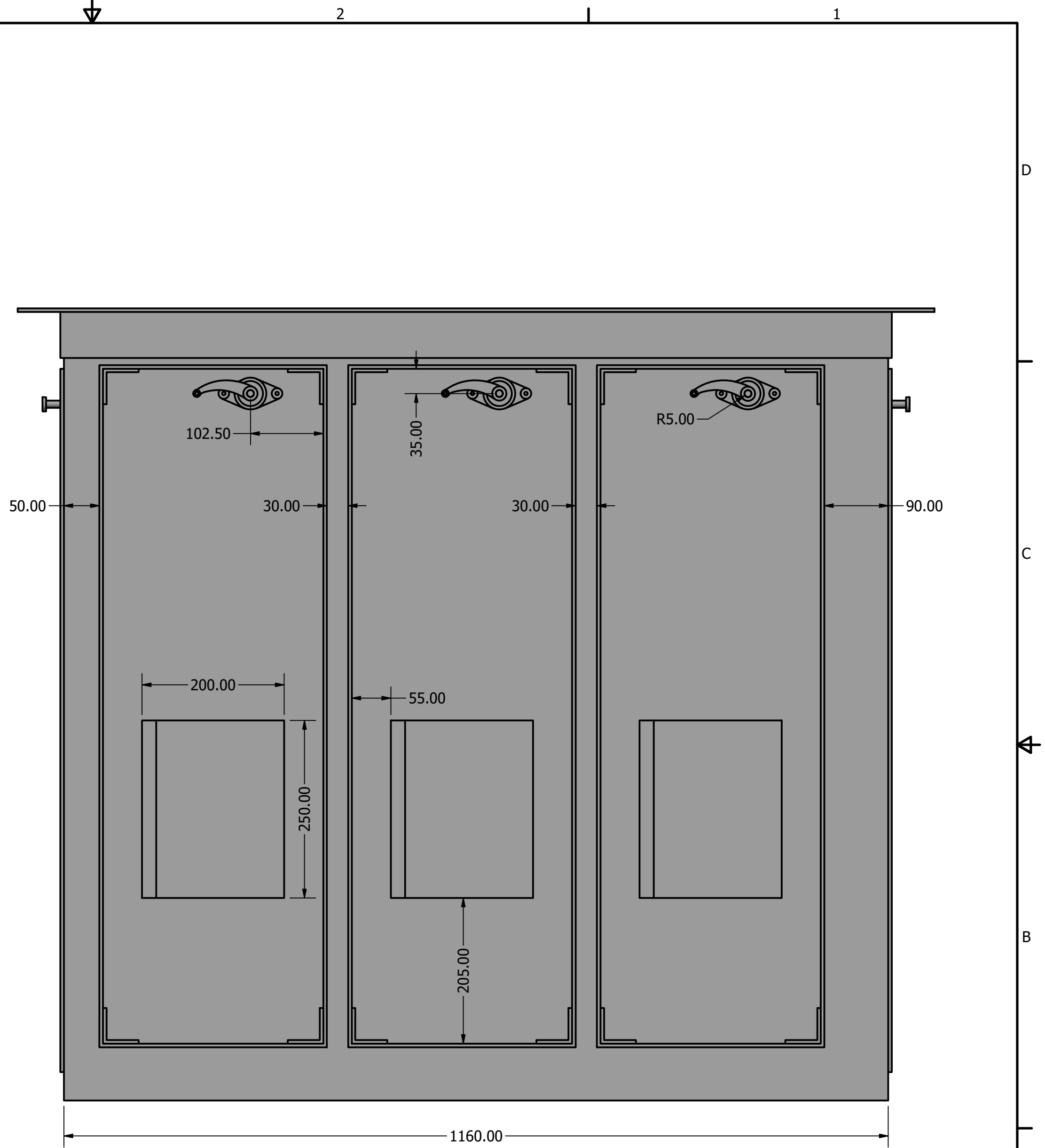
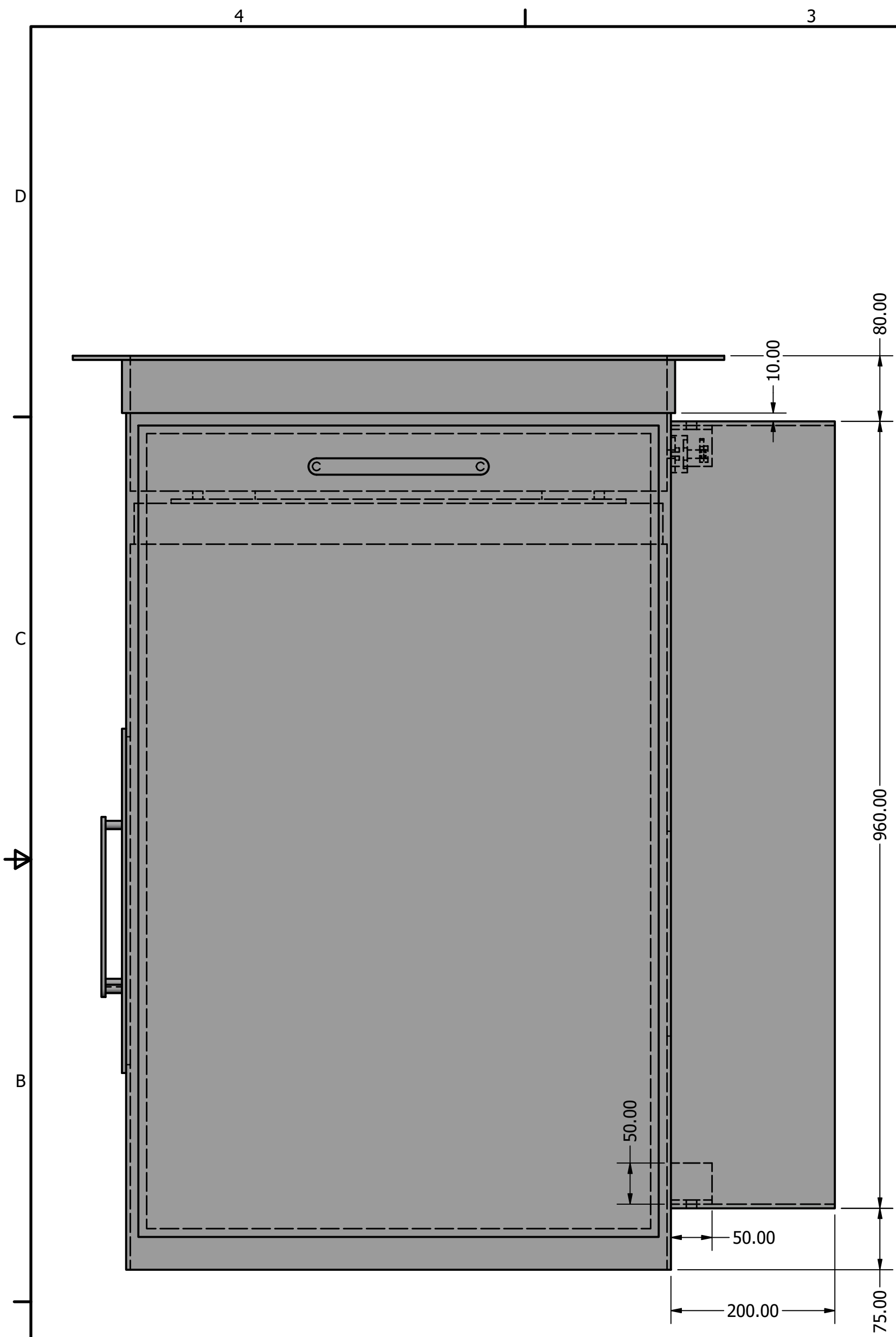


DRAWN Ing. Arim Alejandro	15/03/2022	PESAIND		
CHECKED Ing. Jorge Morales	15/03/2022	TITLE ACERO INOXIDABLE Básculas		
QA		SIZE C	DWG NO Básculas	REV
MFG		SCALE 1 / 5	SHEET 2 OF 2	
APPROVED				



DRAWN	Ing. Arim Alejandro	14/03/2022	PESAIND	
CHECKED	Ing. Jorge Morales	15/03/2022	TITLE	
QA			ACERO AL CARBÓN	
MFG			Soporte principal	
APPROVED			SIZE	DWG NO
			C	Soporte principal
			SCALE	REV
			1 / 6	SHEET 3 OF 3





DRAWN Ing. Arim Alejandro	14/03/2022	PESAIND		
CHECKED Ing. Jorge Morales	15/03/2022	TITLE ACERO AL CARBÓN		
QA		Soporte principal		
MFG		SIZE C	DWG NO Soporte principal	REV
APPROVED		SCALE 1 / 5	SHEET 2 OF 2	

